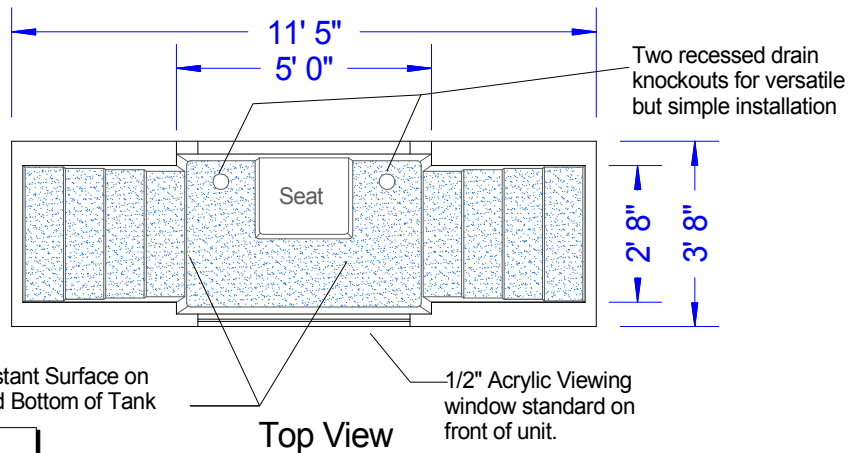
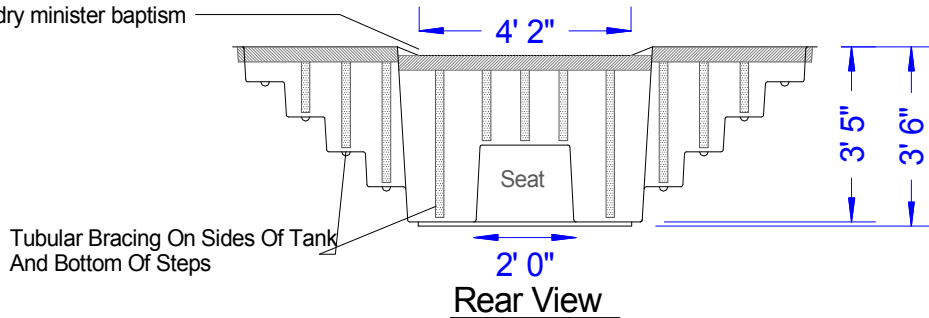


2" recessed area for ease of dry minister baptism

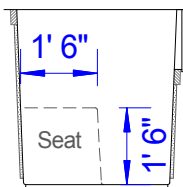


Baptistry Data
 Overall Width = 3'-7 1/2"
 Overall Length = 11'-5"
 Overall Height = 3'-6"
 Overall Depth = 3'-5"
 Unit Weight = 375 lbs.
 Water Capacity = 475 Gallons
 Recommended Heater: PBH 5.5 E-Z Fill
 PBH 5.5

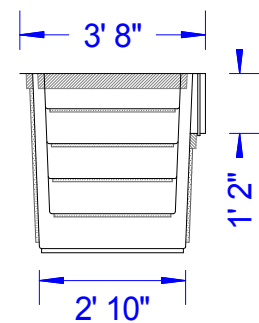
Available Colors

Blue	
White	
Aqua	
Cream	

Note: Color samples available at customers request



Side View



Note: All drawings are the property of Piedmont Fiberglass Inc. Dimensions and designs may be altered slightly to accommodate manufacturing.



PO Box 6513
 High Point, NC 27262
 800-736-3113
 www.churchoutlet.com

DRY-MINISTER
 Model :
8-DE-WINDOW

Scale:

Drawn by:
 TJD/JEM
 Created On
 8/16/02
 Updated On
 08/04/08