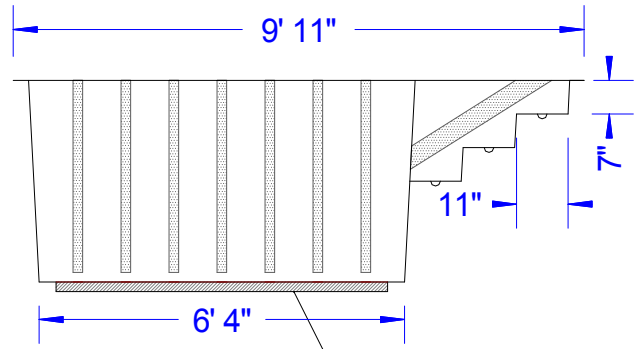


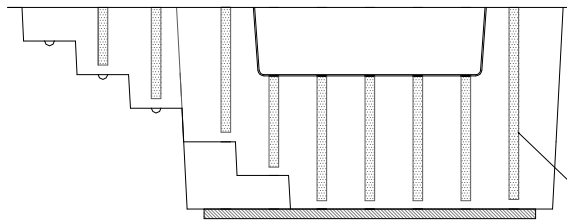


figure shown  
for scale reference



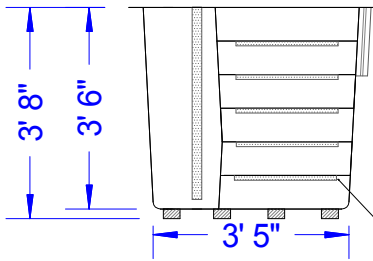
Rear View

(4) 2x4's Molded Into  
Bottom Of Unit



Integrated Ribs  
for Rigidity

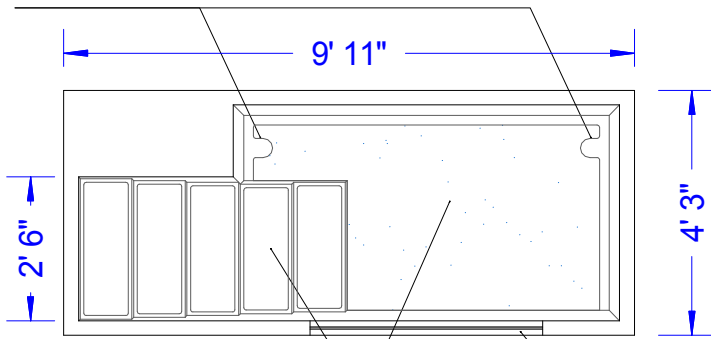
Front View



Side View

Tubular Bracing On Sides Of Tank  
And Bottom Of Steps

Two recessed drain  
knockouts for versatile  
but simple installation



Top View

Slip Resistant Surface on  
Steps and Bottom of Tank


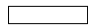


1/2" Acrylic Viewing  
window standard on this  
side.

**Baptistry Data**

Overall Width = 4'-3"  
Overall Length = 9'-11"  
Overall Height = 3'-8"  
Overall Depth = 3'-6"  
Unit Weight = 325 lbs.

Water Capacity = 525 Gallons  
Recommended Heater: PBH 10k E-Z Fill  
PBH 10k  
Optional Heater: PBH 5.5 E-Z Fill  
PBH 5.5

**Available Colors**

Blue   
White   
Aqua   
Cream 

Note: Color samples available  
at customers request

Note: All drawings are the property of Piedmont Fiberglass Inc. Dimensions and designs may be altered slightly to accommodate manufacturing.



PO Box 6513  
High Point, NC 27262  
800-736-3113  
www.churchoutlet.com

**BAPTISTRY**

Model : **6-LE-WINDOW**

Scale:

Drawn by:  
TJD/JEM

Created On  
8/16/02

Updated On  
07/31/08