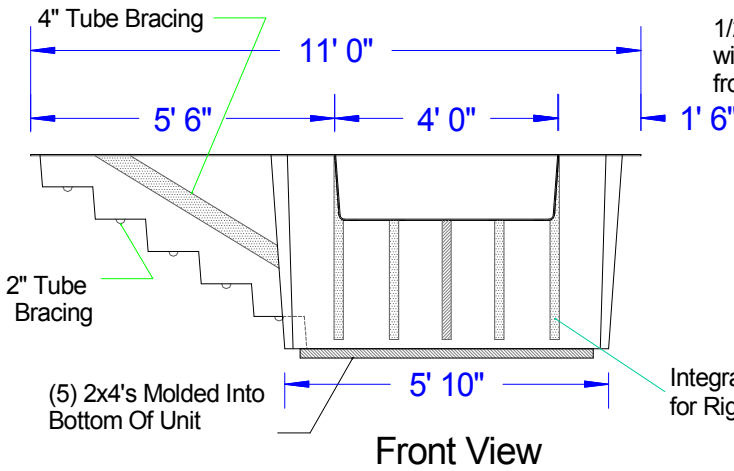
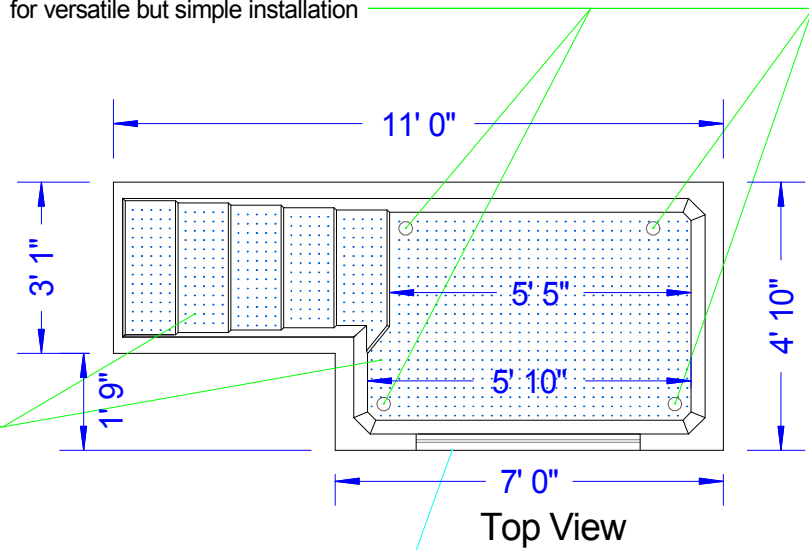




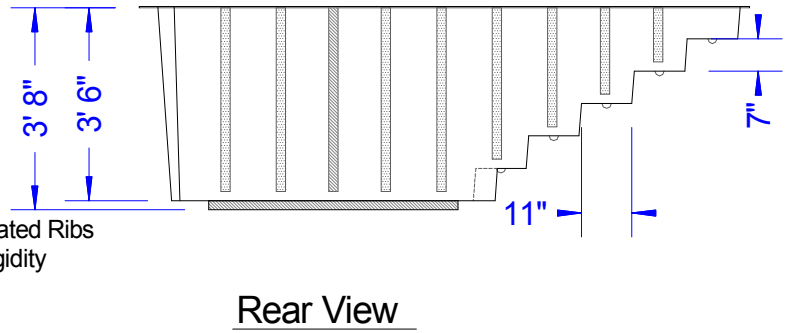
Four recessed drain knockouts for versatile but simple installation

Slip Resistant Surface on Steps and Bottom of Tank



1/2" Acrylic Viewing window standard on front of unit.

Integrated Ribs for Rigidity



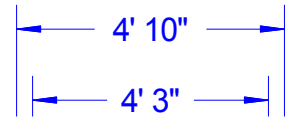
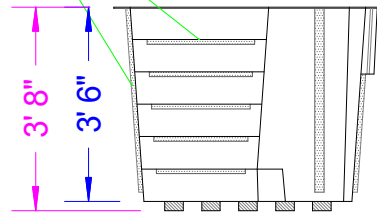
Baptistery Data
 Overall Width = 4'-10"
 Overall Length = 11'-0"
 Overall Height = 3'-8"
 Overall Depth = 3'-6"
 Unit Weight = 325 lbs.
 Water Capacity = 800 Gallons
 Recommended Heater: PBH 10K E-Z Fill
 PBH 10K

Available Colors

- Blue
- White
- Aqua
- Cream

Note: Color samples available at customers request

Tubular Bracing On Sides Of Tank And Bottom Of Steps



Note: All drawings are the property of Piedmont Fiberglass Inc. Dimensions and designs may be altered slightly to accommodate manufacturing.



PO Box 6513
 High Point, NC 27262
 800-736-3113
 www.churchoutlet.com

Scale:

BAPTISTERY

Model : **5-LE-WINDOW**

Drawn by: JEM
 Created On 08/12/08
 Updated On 08/12/08