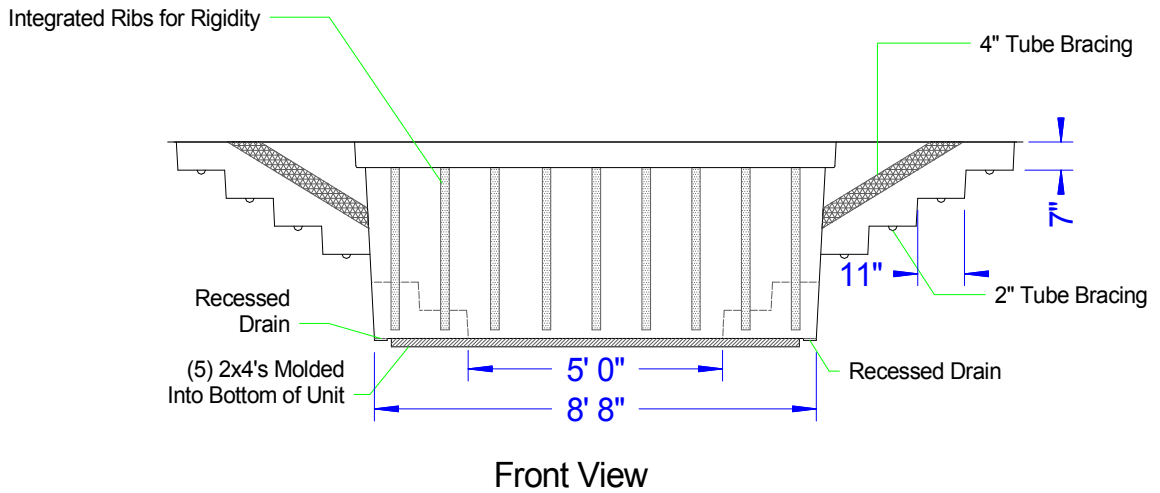
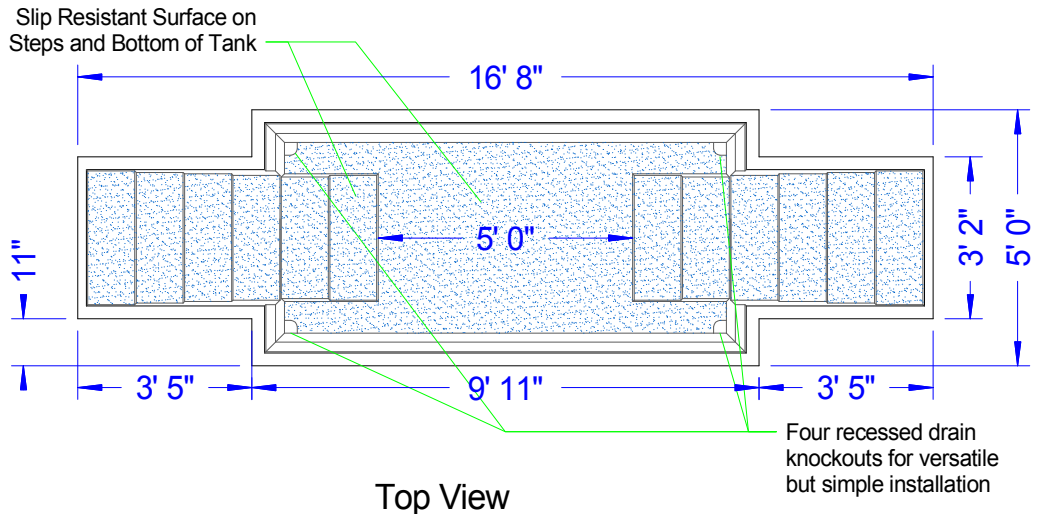




figure shown for scale reference

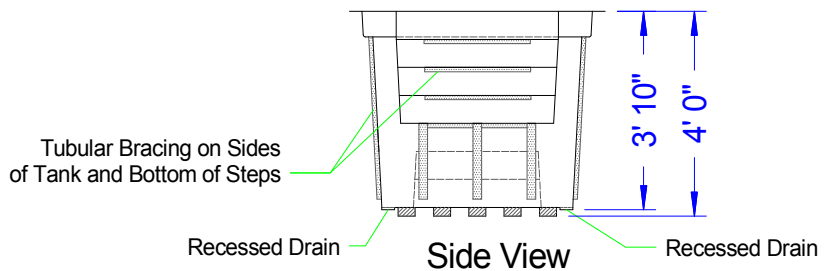


Baptistery Data
 Overall Width = 5'-0"
 Overall Length = 16'-8 7/16"
 Overall Height = 4'-0"
 Overall Depth = 3'-10"
 Unit Weight = 400 lbs.
 Water Capacity = 1320 Gallons
 Recommended Heater: PBH 10K E-Z Fill
 PBH 10K

Available Colors

- Blue
- White
- Aqua
- Cream

Note: Color samples available at customers request



Note: All drawings are the property of Piedmont Fiberglass Inc. Dimensions and designs may be altered slightly to accommodate manufacturing.



PO Box 6513
 High Point, NC 27262
 800-736-3113
 www.churchoutlet.com

BAPTISTERY

Model : **1-KE**

Scale:

Drawn by:
 TJD/JEM
 Created On
 7/1/08
 Updated On
 8/15/08