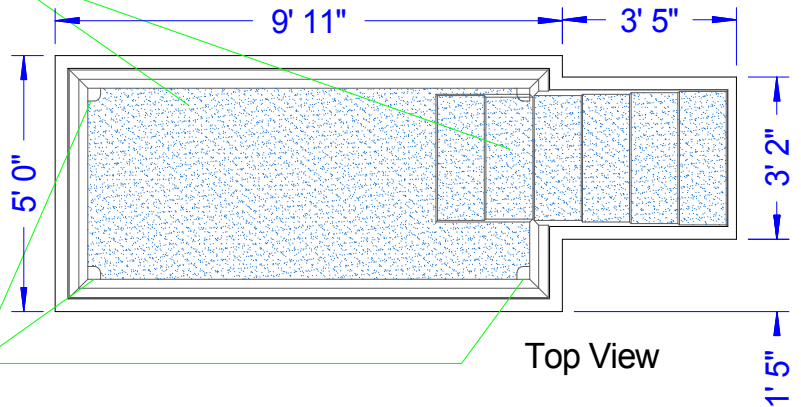




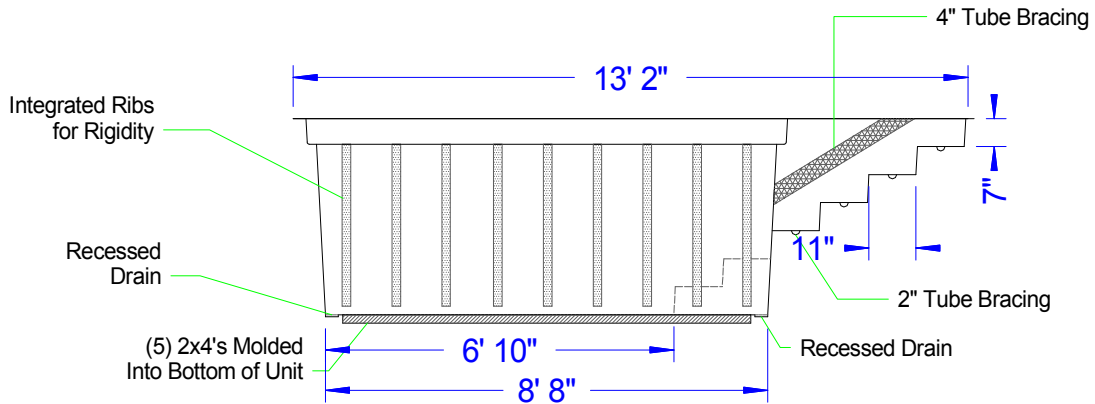
figure shown for scale reference

Slip Resistant Surface on Steps and Bottom of Tank

Three recessed drain knockouts for versatile but simple installation



Top View



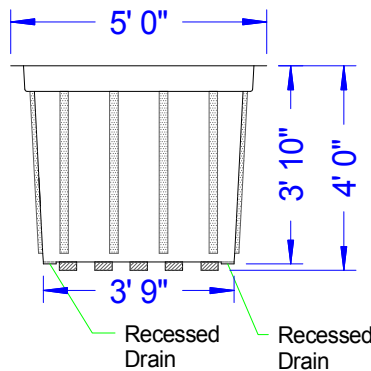
Front View

Baptistery Data
 Overall Width = 5'-0"
 Overall Length = 13'-3 11/16"
 Overall Height = 4'-0"
 Overall Depth = 3'-10"
 Unit Weight = 350 lbs.
 Water Capacity = 1170 Gallons
 Recommended Heater: PBH 10K E-Z Fill
 PBH 10K

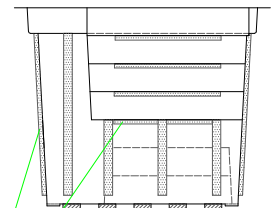
Available Colors

- Blue
- White
- Aqua
- Cream

Note: Color samples available at customers request



No Step Side View



Step Side View

Tubular Bracing on Sides of Tank and Bottom of Steps

Note: All drawings are the property of Piedmont Fiberglass Inc. Dimensions and designs may be altered slightly to accommodate manufacturing.



PO Box 6513
 High Point, NC 27262
 800-736-3113
 www.churchoutlet.com

BAPTISTERY

Model :

1-D

Scale:

Drawn by:

TJD/JEM

Created On

7/1/08

Updated On

8/15/08