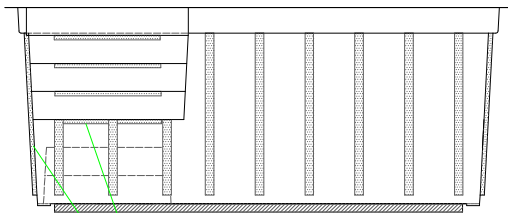


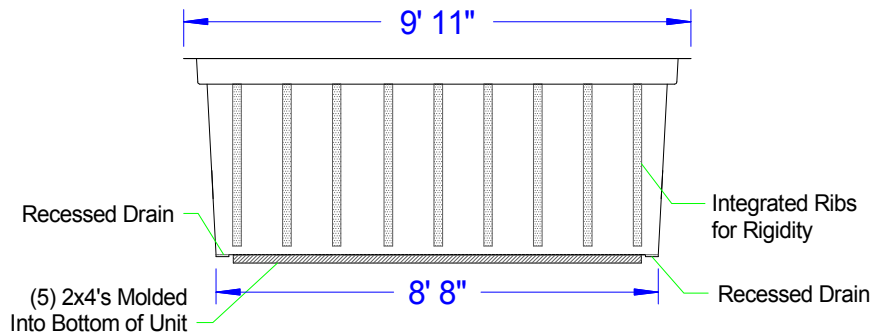
Three recessed drain knockouts for versatile but simple installation

Top View



Back View

Tubular Bracing on Sides of Tank and Bottom of Steps



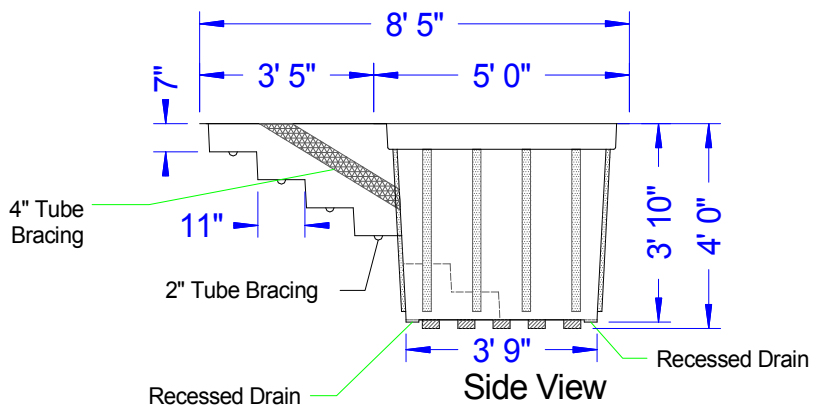
Front View

Baptistry Data
 Overall Width = 8'-4 13/16"
 Overall Length = 9'-10 7/8"
 Overall Height = 4'-0"
 Overall Depth = 3'-10"
 Unit Weight = 350 lbs.
 Water Capacity = 1170 Gallons
 Recommended Heater: PBH 10K E-Z Fill
 PBH 10K

Available Colors

- Blue
- White
- Aqua
- Cream

Note: Color samples available at customers request



Side View

Note: All drawings are the property of Piedmont Fiberglass Inc. Dimensions and designs may be altered slightly to accommodate manufacturing.



PO Box 6513
 High Point, NC 27262
 800-736-3113
 www.churchoutlet.com

BAPTISTRY

Model :

1-C

Scale:

Drawn by:
TJD/JEM

Created On
7/1/08

Updated On
8/14/08