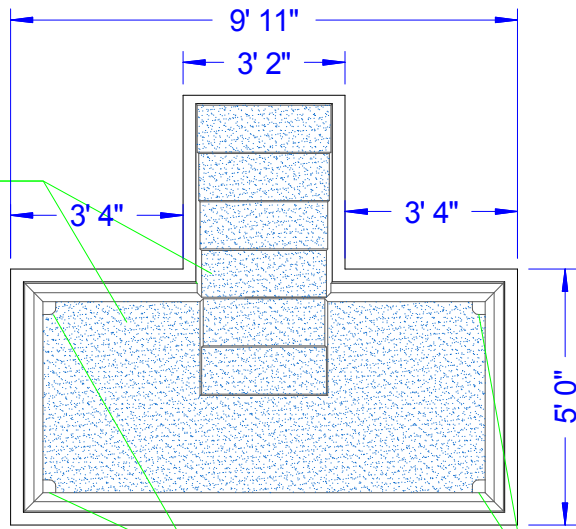




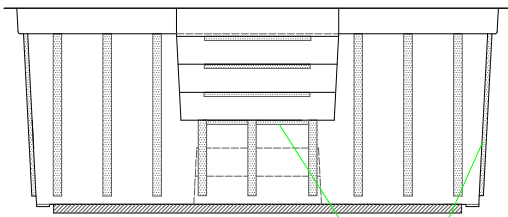
figure shown  
for scale reference

Slip Resistant Surface on  
Steps and Bottom of Tank



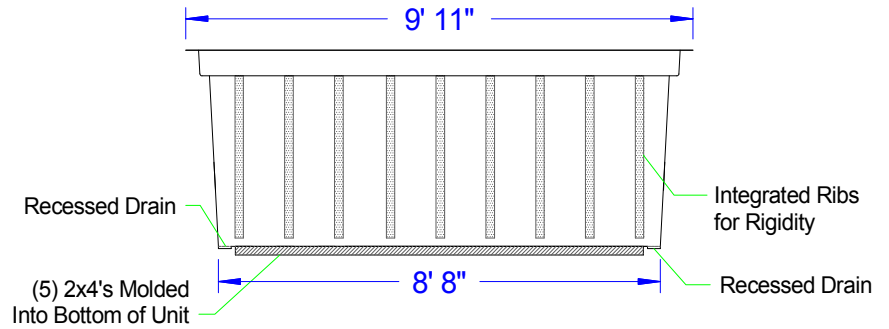
Four recessed drain knockouts for  
versatile but simple installation

Top View



Back View

Tubular Bracing on Sides  
of Tank and Bottom of Steps



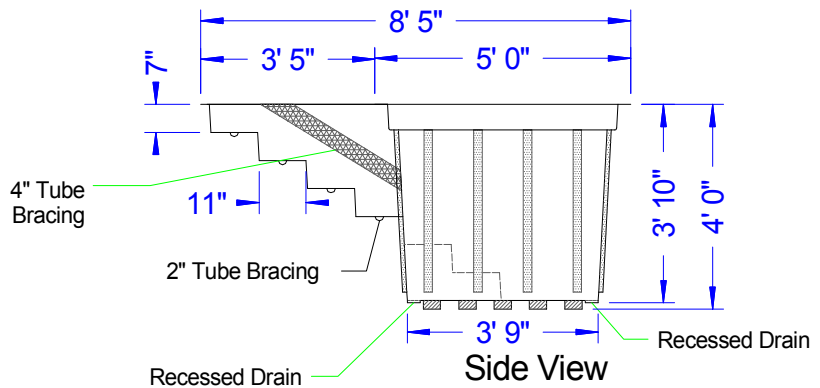
Front View

**Baptistery Data**  
 Overall Width = 8'-4 13/16"  
 Overall Length = 9'-10 7/8"  
 Overall Height = 4'-0"  
 Overall Depth = 3'-10"  
 Unit Weight = 350 lbs.  
 Water Capacity = 1170 Gallons  
 Recommended Heater: PBH 10K E-Z Fill  
 PBH 10K

Available Colors

- Blue
- White
- Aqua
- Cream

Note: Color samples available  
at customers request



Side View

Note: All drawings are the property of Piedmont Fiberglass Inc. Dimensions and designs may be altered slightly to accommodate manufacturing.



PO Box 6513  
 High Point, NC 27262  
 800-736-3113  
 www.churchoutlet.com

**BAPTISTERY**

Model :

**1-B**

Scale:

Drawn by:  
TJD/JEM

Created On  
7/1/08

Updated On  
8/14/08